

**COMMUNICATIONS
ALLIANCE LTD**



INDUSTRY GUIDELINE

G613.2:2016

LOCAL NUMBER PORTABILITY

IT TEST PLAN

PART 2 - CATEGORY A

Industry Guideline G613.2:2016 Local Number Portability IT Test Plan Part 2 - Category A

First published as ACIF G613.2:2004
Second edition as G613.2:2013

Communications Alliance Ltd (formerly Australian Communications Industry Forum Ltd) was formed in 2006 to provide a unified voice for the Australian communications industry and to lead it into the next generation of converging networks, technologies and services.

Disclaimers

- 1) Notwithstanding anything contained in this Industry Guideline:
 - a) Communications Alliance disclaims responsibility (including where Communications Alliance or any of its officers, employees, agents or contractors has been negligent) for any direct or indirect loss, damage, claim, or liability any person may incur as a result of any:
 - i) reliance on or compliance with this Industry Guideline;
 - ii) inaccuracy or inappropriateness of this Industry Code/Guideline; or
 - iii) inconsistency of this Industry Code/Guideline with any law; and
 - b) Communications Alliance disclaims responsibility (including where Communications Alliance or any of its officers, employees, agents or contractors has been negligent) for ensuring compliance by any person with this Industry Code/Guideline.
- 2) The above disclaimers will not apply to the extent they are inconsistent with any relevant legislation.

Copyright

© Communications Alliance Ltd 2016

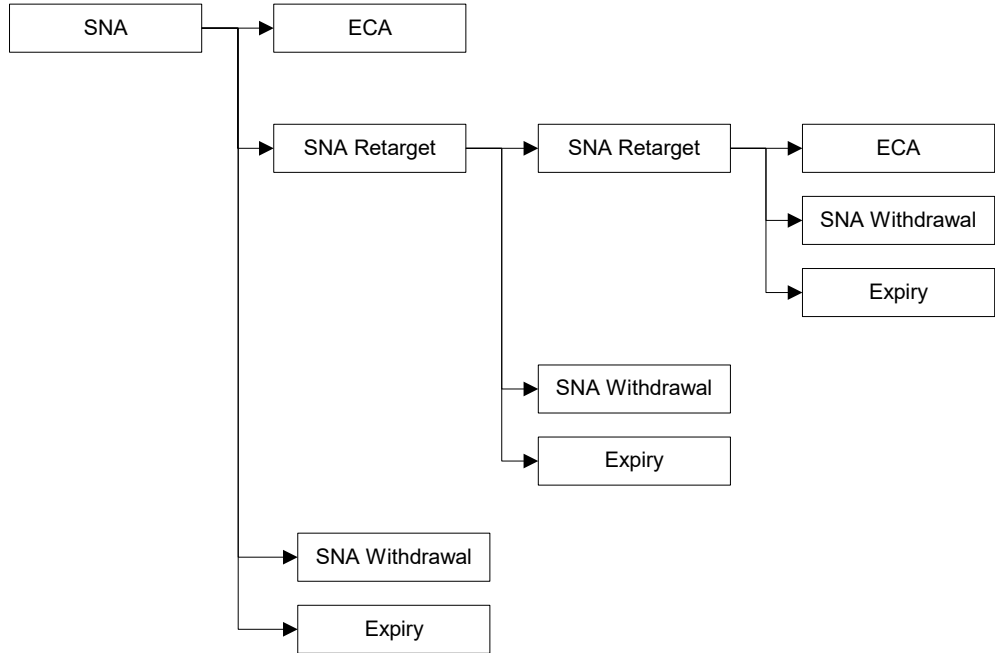
This document is copyright and must not be used except as permitted below or under the Copyright Act 1968. You may reproduce and publish this document in whole or in part for your or your organisation's own personal or internal compliance, educational or non-commercial purposes. You must not alter or amend this document in any way. You must not reproduce or publish this document for commercial gain without the prior written consent of Communications Alliance. Organisations wishing to reproduce or publish this document for commercial gain (i.e. for distribution to subscribers to an information service) should apply to Communications Alliance by contacting the Communications Alliance Commercial Manager at info@commsalliance.com.au.

TABLE OF CONTENTS

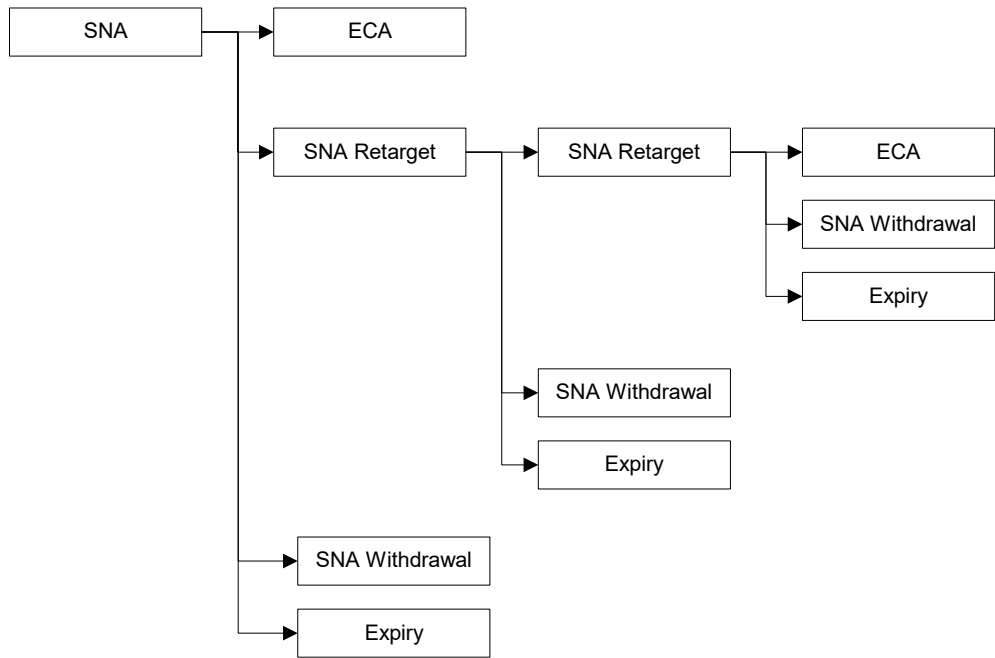
1	CATEGORY A - EVENT TREE DIAGRAMS	2
1.1	Category A - Donor as Losing Carrier	2
1.2	Category A - Donor as Gaining Carrier	3
1.3	Category A - Third Party	4
2	CATEGORY A - TEST SCENARIOS	5
2.1	Category A - Donor as Losing Carrier Scenario Description	5
2.2	Category A - Donor as Gaining Carrier Scenario Description	7
2.3	Category A - Third Party Porting Scenario Description	9
2.4	Giveback Scenario Description	10
3	TEST CASE DESCRIPTION FOR CATEGORY A PROCESS INTERCARRIER INTERFACE TESTING	11
3.1	Donor as Losing Carrier	11
3.2	Donor as Gaining	27
3.3	Third Party	42
3.4	Giveback	50
4	TEST RUN SCHEDULE MATRIX	52
4.1	Run Chart for Category A Process Intercarrier Interface Testing	52
5	RESPONSE CODES	60
6	REFERENCES	66
	PARTICIPANTS	67

1 CATEGORY A - EVENT TREE DIAGRAMS

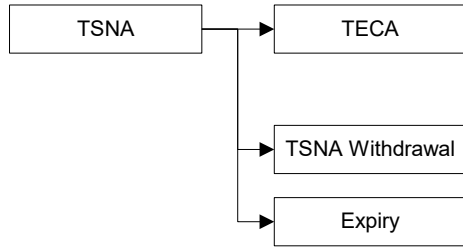
1.1 Category A - Donor as Losing Carrier



1.2 Category A - Donor as Gaining Carrier



1.3 Category A - Third Party



2 CATEGORY A - TEST SCENARIOS

2.1 Category A - Donor as Losing Carrier Scenario Description

Test Scenario No.	Test Scenario Type	Description	Recommended Minimum Test
ADL01	Successful Port	A successful Port from the Donor Carrier to the Gaining Carrier.	Yes
ADL02	Successful Port after ECA Rejection	A successful Port from the Donor Carrier to the Gaining Carrier after an ECA is rejected for Response Code 032 (Insufficient notification timeframe).	Optional
ADL03	Successful Port after a Retarget accepted	A successful Port from the Donor Carrier to the Gaining Carrier after a Retarget has been accepted.	Yes
ADL04	Successful Port after ECA rejection and Retarget accepted	A successful Port from the Donor Carrier to the Gaining Carrier after an ECA is rejected for Response Code 032 (Insufficient notification timeframe) and then a Retarget has been accepted.	Optional
ADL05	Successful Port after two Retargets accepted	A successful Port from the Donor Carrier to the Gaining Carrier after two Retargets has been accepted.	Yes
ADL06	Successful Port after Retarget rejection	A successful Port from the Donor Carrier to the Gaining Carrier after two Retargets have been accepted and a third Retarget rejected with Response Code 037 (Retarget limit exceeded).	Optional
ADL07	Successful Port after Withdrawal Rejection	A successful Port from the Donor Carrier to the Gaining Carrier after Withdrawal is rejected with Response Code 032 (Insufficient notification timeframe).	Yes
ADL08	Successful Port after two	A successful Port from the Donor Carrier to the Gaining Carrier after two Retargets	Optional

Test Scenario No.	Test Scenario Type	Description	Recommended Minimum Test
	Retargets Accepted and Withdrawal Rejection	have been accepted and Withdrawal is rejected with Response Code 032 (Insufficient notification timeframe). Withdrawal would be received on last day of Port window and ECA sent same day.	
ADL09	Successful Withdrawal	A Port Request is terminated by a successful Withdrawal transaction	Yes
ADL10	Expiry	A Port Request is terminated by the generation of an Expiry Notification	Yes
ADL11	Expiry after one Retarget accepted	A Port Request is terminated by the generation of an Expiry Notification after one Retarget has been accepted	Optional (assume ADyy tested)
ADL12	Expiry after two Retargets accepted	A Port Request is terminated by the generation of an Expiry Notification after two Retargets have been accepted	Yes
ADL13	Expiry after Withdrawal rejection	A Port Request is terminated by the generation of an Expiry Notification after Withdrawal has been rejected with Response Code 032 (Insufficient notification timeframe).	Yes
			No longer required
ADL15	Rejected Port	A Port Request is rejected for Response Code 001 (Service Number not found).	Optional
ADL16	Port Reversal	A number is successfully Ported and then reversed.	Yes

2.2 Category A - Donor as Gaining Carrier Scenario Description

Test Scenario No.	Test Scenario Type	Description	Recommended Minimum Test
ADG01	Successful Port	A successful Port from the Losing Carrier to the Donor Carrier.	Yes
ADG02	Successful Port after ECA Rejection	A successful Port from the Losing Carrier to the Donor Carrier after an ECA is rejected for Response Code 032 (Insufficient notification timeframe).	Optional
ADG03	Successful Port after a Retarget accepted	A successful Port from the Losing Carrier to the Donor Carrier after a Retarget has been accepted.	Yes
ADG04	Successful Port after ECA rejection and Retarget accepted	A successful Port from the Losing Carrier to the Donor Carrier after an ECA is rejected for Response Code 032 (Insufficient notification timeframe) and then a Retarget has been accepted.	Optional
ADG05	Successful Port after two Retargets accepted	A successful Port from the Losing Carrier to the Donor Carrier after two Retargets have been accepted.	Yes
ADG06	Successful Port after Retarget rejection	A successful Port from the Losing Carrier to the Donor Carrier after two Retargets have been accepted and a third Retarget rejected with Response Code 037 (Retarget limit exceeded).	Optional
ADG07	Successful Port after Withdrawal Rejection	A successful Port from the Losing Carrier to the Donor Carrier after Withdrawal is rejected with Response Code 032 (Insufficient notification timeframe).	Yes
ADG08	Successful Port after two Retargets Accepted and	A successful Port from the Losing Carrier to the Donor Carrier after two Retargets have been accepted and Withdrawal is rejected with Response Code 032	Optional

Test Scenario No.	Test Scenario Type	Description	Recommended Minimum Test
	Withdrawal Rejection	(Insufficient notification timeframe). Withdrawal would be received on last day of Port window and ECA sent same day.	
ADG09	Successful Withdrawal	A Port Request is terminated by a successful Withdrawal transaction	Yes
ADG10	Expiry	A Port Request is terminated by the generation of an Expiry Notification	Yes
ADG11	Expiry after one Retarget accepted	A Port Request is terminated by the generation of an Expiry Notification after one Retarget has been accepted	Optional (assume ADyy tested)
ADG12	Expiry after two Retargets accepted	A Port Request is terminated by the generation of an Expiry Notification after two Retargets has been accepted	Yes
ADG13	Expiry after Withdrawal rejection	A Port Request is terminated by the generation of an Expiry Notification after Withdrawal has been rejected with Response Code 032 (Insufficient notification timeframe).	Yes
			No longer required
ADG15	Port Reversal	A number is successfully Ported and then reversed.	Yes

2.3 Category A - Third Party Porting Scenario Description

NOTE: Only the transfer transactions are being tested and described in the Third Party Porting scenarios.

Test Scenario No.	Test Scenario Type	Description	Recommended Minimum Test
ATP01	Successful Transfer	A successful Transfer by the Donor Carrier from the Losing Carrier to the Gaining Carrier.	Yes
ATP02	Successful Transfer after TECA Rejection	A successful Transfer by the Donor Carrier from the Losing Carrier to the Gaining Carrier after a TECA is rejected for Response Code 032 (Insufficient notification timeframe).	Yes
ATP03	Successful Transfer after Donor Carrier rejects Withdrawal	A successful Transfer by the Donor Carrier from the Losing Carrier to the Gaining Carrier after Withdrawal is rejected by the Donor Carrier with Response Code 032 (Insufficient notification timeframe).	Yes
ATP04	Successful Withdrawal	A Transfer request is terminated by a successful Withdrawal transaction	Yes
ATP05	Donor Carrier Expiry	A Transfer request is terminated by the generation of an Expiry Notification by the Donor Carrier.	Yes
ATP06	Expiry after Donor Carrier rejects Withdrawal	A Transfer request is terminated by the generation of an Expiry Notification after Withdrawal has been rejected by the Donor Carrier with Response Code 032 (Insufficient notification timeframe).	Yes
ATP07	Transfer rejected by Donor Carrier	A Transfer request is rejected by the Donor Carrier for Response Code 008 (Outstanding Porting Request).	Yes
ATP08	Transfer Reversal	A Transfer is successfully completed and a Transfer Reversal requested.	Yes

2.4 Giveback Scenario Description

Test Scenario No.	Test Scenario Type	Description	Recommended Minimum Test
AGB01	Giveback Successful	A Giveback is successfully processed.	Yes
AGB02	Giveback Rejected	A Giveback is rejected for Response Code 038 (Giveback invalid)	Yes

3 TEST CASE DESCRIPTION FOR CATEGORY A PROCESS INTERCARRIER INTERFACE TESTING

3.1 Donor as Losing Carrier

Scenario No	ADL01
Pre- Requisite Scenario	
Test Scenario Type	Successful Port
Scenario Description	A successful Port from the Donor Carrier to the Gaining Carrier.
Detailed Test Description	An SNA is sent from the Gaining Carrier and confirmed by the Donor Carrier within 1 Business Day. At least 2 Business Days later a valid ECA is received and confirmation is sent. An SNA Completion Advice is sent on Port completion.
Test Outcome	Port successfully completed and Telephone Number appears on the Donor Carriers PLNR.

Day	Carrier	Transaction Type	Description	Code Value
0	G	SNA		n/a
1	D	SNA Confirmation		"000"
2	G	ECA Cutover Notification		n/a
2	D	ECA Cutover Confirmation		"000"
2	D	SNA Completion Notification		n/a
3	D	PLNR update	Update PLNR with a new entry for the Telephone Number identifying the Gaining Carrier	"A"
4	D	PLNR update		"Space"

Scenario No	ADL02
Pre- Requisite Scenario	
Test Scenario Type	Successful Port after ECA Rejection
Scenario Description	A successful Port from the Donor Carrier to the Gaining Carrier after an ECA is rejected for Response Code 032 (Insufficient notification timeframe).
Detailed Test Description	An SNA is sent from the Gaining Carrier and confirmed by the Donor Carrier within 1 Business Day. An ECA is sent between Carriers after SNA Confirmation. The ECA is rejected and notification is sent with Response Code 032 (Insufficient notification timeframe). A second ECA is received and confirmation is sent. An SNA Completion Advice is sent on Port completion.
Test Outcome	Port successfully completed and Telephone Number appears on the Donor Carriers PLNR.

Day	Carrier	Transaction Type	Description	Code Value
0	G	SNA		n/a
1	D	SNA Confirmation		"000"
1	G	ECA Cutover Notification		n/a
1	D	ECA Cutover Rejection	Insufficient notification timeframe	"032"
2	G	ECA Cutover Notification		n/a
2	D	ECA Cutover Confirmation		"000"
2	D	SNA Completion Notification		n/a
3	D	PLNR update	Update PLNR with a new entry for the Telephone Number identifying the Gaining Carrier	"A"
4	D	PLNR update		"Space"

Scenario No	ADL03
Pre- Requisite Scenario	
Test Scenario Type	Successful Port after a Retarget accepted
Scenario Description	A successful Port from the Donor Carrier to the Gaining Carrier after a Retarget has been accepted.
Detailed Test Description	An SNA is sent from the Gaining Carrier and confirmed by the Donor Carrier within 1 Business Day. An SNA Retarget Notification is sent prior to SNA Expiry and accepted. A valid ECA is received and confirmation is sent. An SNA Completion Advice is sent on Port completion.
Test Outcome	Port successfully completed and Telephone Number appears on the Donor Carrier's PLNR.

Day	Carrier	Transaction Type	Description	Code Value
0	G	SNA		n/a
1	D	SNA Confirmation		"000"
3	G	SNA Retarget Notification		n/a
4	D	SNA Retarget Confirmation		"000"
7	G	ECA Cutover Notification		n/a
7	D	ECA Cutover Confirmation		"000"
7	D	SNA Completion Notification		n/a
8	D	PLNR update	Update PLNR with a new entry for the Telephone Number identifying the Gaining Carrier	""
9	D	PLNR update		"Space"

Scenario No	ADL04
Pre- Requisite Scenario	
Test Scenario Type	Successful Port after ECA rejection and Retarget accepted
Scenario Description	A successful Port from the Donor Carrier to the Gaining Carrier after an ECA is rejected for Response Code 032 (Insufficient notification timeframe) and then a Retarget has been accepted.
Detailed Test Description	An SNA is sent from the Gaining Carrier and confirmed by the Donor Carrier within 1 Business Day. An ECA is sent between Carriers after SNA Confirmation. The ECA is rejected and notification is sent with Response Code 032 (Insufficient notification timeframe). An SNA Retarget Notification is sent prior to SNA expiry and accepted. A valid ECA is received and confirmation is sent. An SNA Completion Advice is sent on Port completion.
Test Outcome	Port successfully completed and Telephone Number appears on the Donor Carrier's PLNR.

Day	Carrier	Transaction Type	Description	Code Value
0	G	SNA		n/a
1	D	SNA Confirmation		"000"
1	G	ECA Cutover Notification		n/a
1	D	ECA Cutover Rejection		"032"
3	G	SNA Retarget Notification		n/a
4	D	SNA Retarget Confirmation		"000"
7	G	ECA Cutover Notification		n/a
7	D	ECA Cutover Confirmation		"000"
7	D	SNA Completion Notification		n/a
8	D	PLNR update	Update PLNR with a new entry for the Telephone Number identifying the Gaining Carrier	"A"
9	D	PLNR update		"Space"

Scenario No	ADL05
Pre- Requisite Scenario	
Test Scenario Type	Successful Port after two Retargets accepted
Scenario Description	A successful Port from the Donor Carrier to the Gaining Carrier after two Retargets have been accepted.
Detailed Test Description	An SNA is sent from the Gaining Carrier and confirmed by the Donor Carrier within 1 Business Day. Two valid SNA Retarget Notifications are received and confirmed. A valid ECA is received and confirmation is sent. An SNA Completion Advice is sent on Port completion.
Test Outcome	Port successfully completed and Telephone Number appears on the Donor Carrier's PLNR.

Day	Carrier	Transaction Type	Description	Code Value
0	G	SNA		n/a
1	D	SNA Confirmation		"000"
3	G	SNA Retarget Notification		n/a
4	D	SNA Retarget Confirmation		"000"
8	G	SNA Retarget Notification		n/a
9	D	SNA Retarget Confirmation		"000"
11	G	ECA Cutover Notification		n/a
11	D	ECA Cutover Confirmation		"000"
11	D	SNA Completion Notification		n/a
12	D	PLNR update	Update PLNR with a new entry for the Telephone Number identifying the Gaining Carrier	"A"
14	D	PLNR update	Would be updated on Day 13 except it is a Sunday.	"Space"

Scenario No	ADL06
Pre- Requisite Scenario	
Test Scenario Type	Successful Port after Retarget rejection
Scenario Description	A successful Port from the Donor Carrier to the Gaining Carrier after two Retargets have been accepted and a third Retarget rejected with Reject Code 037 (Retarget limit exceeded).
Detailed Test Description	An SNA is sent from the Gaining Carrier and confirmed by the Donor Carrier within 1 Business Day. Two valid SNA Retargets are received and confirmed. A third SNA Retarget Notification is received and a rejection notification is sent within 1 Business Day with response code 037 (Retarget limit exceeded). An ECA notification is sent and accepted. AN SNA Completion Advice is sent on Port completion
Test Outcome	Port successfully completed and Telephone Number appears on the Donor Carrier's PLNR.

Day	Carrier	Transaction Type	Description	Code Value
0	G	SNA		n/a
1	D	SNA Confirmation		"000"
3	G	SNA Retarget Notification		n/a
4	D	SNA Retarget Confirmation		"000"
8	G	SNA Retarget Notification		n/a
9	D	SNA Retarget Confirmation		"000"
10	G	SNA Retarget Notification		n/a
11	D	SNA Retarget Rejection		"037"
12	G	ECA Cutover Notification		n/a
12	D	ECA Cutover Confirmation		"000"
12	D	SNA Completion Notification		n/a
14	D	PLNR update	Update PLNR with a new entry for the Telephone Number identifying the Gaining Carrier	"A"

			Would be updated on Day 13 except it is a Sunday.	
15	D	PLNR update		"Space"

Scenario No	ADL07
Pre- Requisite Scenario	
Test Scenario Type	Successful Port after Withdrawal Rejection
Scenario Description	A successful Port from the Donor Carrier to the Gaining Carrier after Withdrawal is rejected with Reject Code 032 (Insufficient notification timeframe).
Detailed Test Description	An SNA is sent from the Gaining Carrier and confirmed by the Donor Carrier within 1 Business Day. An invalid SNA Withdrawal Notification is received therefore an SNA Withdrawal Rejection is sent within 1 business day with response code 032 (Insufficient notification timeframe). An ECA notification is sent on the day of expiry and accepted. An SNA Completion Advice is sent on Port completion.
Test Outcome	Port successfully completed and Telephone Number appears on the Donor Carrier's PLNR.

Day	Carrier	Transaction Type	Description	Code Value
0	G	SNA		n/a
1	D	SNA Confirmation		"000"
30	G	SNA Withdrawal Notification		n/a
30	G	ECA Cutover Notification		n/a
30	D	ECA Cutover Confirmation		"000"
30	D	SNA Completion Notification		n/a
32	D	SNA Withdrawal Rejection	Would be sent on Day 31 except it is a Public Holiday.	"032"
32	D	PLNR update	Update PLNR with a new entry for the Telephone Number identifying the Gaining Carrier	"A"
33	D	PLNR update		"Space"

Scenario No	ADL08
Pre- Requisite Scenario	
Test Scenario Type	Successful Port after two Retargets Accepted and Withdrawal Rejection
Scenario Description	A successful Port from the Donor Carrier to the Gaining Carrier after two Retargets have been accepted and Withdrawal is rejected with Reject Code 032 (Insufficient notification timeframe). Withdrawal would be received on last day of Port window and ECA sent same day.
Detailed Test Description	An SNA is sent from the Gaining Carrier and confirmed by the Donor Carrier within 1 Business Day. Two Valid SNA Retarget Notifications are received and confirmed. An SNA Withdrawal Notification is received on day of expiry. Withdrawal rejection is sent within 1 Business Day with Response Code 032 (Insufficient notification timeframe). An ECA notification is sent on the day of expiry and accepted. An SNA Completion Advice is sent on Port completion
Test Outcome	Port successfully completed and Telephone Number appears on the Donor Carrier's PLNR.

Day	Carrier	Transaction Type	Description	Code Value
0	G	SNA		n/a
1	D	SNA Confirmation		"000"
3	G	SNA Retarget Notification		n/a
4	D	SNA Retarget Confirmation		"000"
8	G	SNA Retarget Notification		n/a
9	D	SNA Retarget Confirmation		"000"
38	G	SNA Withdrawal Notification		n/a
38	G	ECA Cutover Notification		n/a
38	D	ECA Cutover Confirmation		"000"
38	D	SNA Completion Notification		n/a
39	D	SNA Withdrawal Rejection		"032"

39	D	PLNR update	Update PLNR with a new entry for the Telephone Number identifying the Gaining Carrier	"A"
40	D	PLNR update		"Space"

Scenario No	ADL09
Pre- Requisite Scenario	
Test Scenario Type	Successful Withdrawal
Scenario Description	A Port Request is terminated by a successful Withdrawal transaction
Detailed Test Description	An SNA is sent from the Gaining Carrier and confirmed by the Donor Carrier within 1 Business Day. A valid SNA Withdrawal Notification is received therefore a SNA Withdrawal Confirmation is sent within 1 Business Day. Port is cancelled.
Test Outcome	The Port is successfully cancelled and the Telephone Number does not appear on the Donor Carrier's PLNR.

Day	Carrier	Transaction Type	Description	Code Value
0	G	SNA		n/a
1	D	SNA Confirmation		"000"
3	G	SNA Withdrawal Notification		n/a
4	D	SNA Withdrawal Confirmation		"000"
	D	PLNR not updated	The PLNR is not updated as the Port is successfully cancelled	n/a

Scenario No	ADL10
Pre- Requisite Scenario	
Test Scenario Type	Expiry
Scenario Description	A Port Request is terminated by the generation of an Expiry Notification
Detailed Test Description	An SNA is sent from the Gaining Carrier and confirmed by the Donor Carrier within 1 Business Day. No ECA Cutover Notification is received within 30 calendar days. The Donor Carrier cancels the SNA and sends an SNA Expiry Notification the Business Day following the expiry date.
Test Outcome	The Port Expires and the Telephone Number does not appear on the Donor Carrier's PLNR.

Day	Carrier	Transaction Type	Description	Code Value
0	G	SNA		n/a
1	D	SNA Confirmation		"000"
30	D	SNA Expiry Notification		n/a
	D	PLNR not updated	The PLNR is not updated as the Port Expires	n/a

Scenario No	ADL11
Pre- Requisite Scenario	
Test Scenario Type	Expiry after one Retarget accepted
Scenario Description	A Port Request is terminated by the generation of an Expiry Notification after one Retarget has been accepted
Detailed Test Description	An SNA is sent from the Gaining Carrier and confirmed by the Donor Carrier within 1 Business Day. A valid SNA Retarget Notification is received and confirmed. No ECA Cutover Notification is received within 30 days of the Retarget therefore the SNA expires. The Donor Carrier cancels the SNA and sends an SNA Expiry Notification the Business Day following the expiry date.
Test Outcome	The Port Expires and the Telephone Number does not appear on the Donor Carrier's PLNR.

Day	Carrier	Transaction Type	Description	Code Value
0	G	SNA		n/a
1	D	SNA Confirmation		"000"
3	G	SNA Retarget Notification		n/a
4	D	SNA Retarget Confirmation		"000"
35	D	SNA Expiry Notification	Would be sent on Day 33 except it is a Saturday	n/a
	D	PLNR not updated	The PLNR is not updated as the Port Expires	n/a

Scenario No	ADL12
Pre- Requisite Scenario	
Test Scenario Type	Expiry after two Retargets accepted
Scenario Description	A Port Request is terminated by the generation of an Expiry Notification after two Retargets have been accepted
Detailed Test Description	An SNA is sent from the Gaining Carrier and confirmed by the Donor Carrier within 1 Business Day. Two valid SNA Retarget Notifications are received and confirmed. No ECA Cutover Notification is received within 30 days of the Retarget therefore the SNA expires. The Donor Carrier cancels the SNA and sends an SNA Expiry Notification the Business Day following the expiry date.
Test Outcome	The Port Expires and the Telephone Number does not appear on the Donor Carrier's PLNR.

Day	Carrier	Transaction Type	Description	Code Value
0	G	SNA		n/a
1	D	SNA Confirmation		"000"
3	G	SNA Retarget Notification		n/a
4	D	SNA Retarget Confirmation		"000"
8	G	SNA Retarget Notification		n/a
9	D	SNA Retarget Confirmation		"000"
38	D	SNA Expiry Notification		n/a
	D	PLNR not updated	The PLNR is not updated as the Port Expires	n/a

Scenario No	ADL13
Pre- Requisite Scenario	
Test Scenario Type	Expiry after Withdrawal rejection
Scenario Description	A Port Request is terminated by the generation of an Expiry Notification after Withdrawal has been rejected with Reject Code 032 (Insufficient notification timeframe).
Detailed Test Description	An SNA is sent from the Gaining Carrier and confirmed by the Donor Carrier within 1 Business Day. An invalid Withdrawal notification is received and rejected with Response Code 032 (Insufficient notification timeframe). No ECA Cutover Notification is received within 30 days of the SNA therefore the SNA expires. The Donor Carrier cancels the SNA and sends an SNA Expiry Notification the Business Day following the expiry date.
Test Outcome	The Port Expires and the Telephone Number does not appear on the Donor Carrier's PLNR.

Day	Carrier	Transaction Type	Description	Code Value
0	G	SNA		n/a
1	D	SNA Confirmation		"000"
29	G	SNA Withdrawal Notification		n/a
30	D	SNA Withdrawal Rejection		"032"
30	D	SNA Expiry Notification		n/a
	D	PLNR not updated	The PLNR is not updated as the Port Expires	n/a

Scenario No	ADL15
Pre- Requisite Scenario	
Test Scenario Type	Port Reversal
Scenario Description	A Telephone Number is successfully Ported and then reversed
Detailed Test Description	An SNA is sent from the Gaining Carrier and confirmed by the Donor Carrier within 1 Business Day. At least 2 Business Days later a valid ECA is received and confirmation is sent. An SNA Completion Advice is sent on Port completion. The Port is then reversed.
Test Outcome	Port successfully completed and then Reversed. The Telephone Number does not appear on the Donor Carrier's PLNR.

Day	Carrier	Transaction Type	Description	Code Value
0	G	SNA		n/a
1	D	SNA Confirmation		"000"
2	G	ECA Cutover Notification		n/a
2	D	ECA Cutover Confirmation		"000"
2	D	SNA Completion Notification		n/a
	G	Reversal	The Reversal is actioned within 4 hours of the Port. This is a manual action	n/a
	D	PLNR not updated	The PLNR is not updated as the Port is reversed	n/a

3.2 Donor as Gaining

Scenario No	ADG01
Pre- Requisite Scenario	ADL01
Test Scenario Type	Successful Port
Scenario Description	A successful Port from the Losing Carrier to the Donor Carrier.
Detailed Test Description	An SNA is sent by the Donor Carrier and confirmed by the Losing Carrier within 1 Business Day. At least 2 Business Days later a valid ECA is received and confirmation is sent. An SNA Completion Advice is sent on Port completion.
Test Outcome	Port successfully completed and Telephone Number no longer on PLNR.

Day	Carrier	Transaction Type	Description	Code Value
0	D	SNA		n/a
0	D	PLNR update		"D"
1	L	SNA Confirmation		"000"
1	D	PLNR update		"E"
2	D	ECA Cutover Notification		n/a
2	L	ECA Cutover Confirmation		"000"
2	L	SNA Completion Notification		n/a
3	D	PLNR update		"C"
4	D	PLNR update	PLNR entry removed	n/a

Scenario No	ADG02
Pre- Requisite Scenario	ADL01
Test Scenario Type	Successful Port after ECA Rejection
Scenario Description	A successful Port from the Losing Carrier to the Donor Carrier after an ECA is rejected for Response Code 032 (Insufficient notification timeframe).
Detailed Test Description	An SNA is sent by the Donor Carrier and confirmed by the Losing Carrier within 1 Business Day. An ECA is sent between Carriers after SNA confirmation. The ECA is rejected and notification is sent with Response Code 032 (Insufficient notification timeframe). A second ECA is received and confirmation is sent. An SNA Completion Advice is sent on Port completion.
Test Outcome	Port successfully completed and Telephone Number no longer on PLNR.

Day	Carrier	Transaction Type	Description	Code Value
0	D	SNA		n/a
0	D	PLNR update		"D"
1	L	SNA Confirmation		"000"
1	D	PLNR update		"E"
1	D	ECA Cutover Notification		n/a
1	L	ECA Cutover Rejection		"032"
2	D	ECA Cutover Notification		n/a
2	L	ECA Cutover Confirmation		"000"
2	L	SNA Completion Notification		n/a
3	D	PLNR update		"C"
4	D	PLNR update	PLNR entry removed	n/a

Scenario No	ADG03
Pre- Requisite Scenario	ADL01
Test Scenario Type	Successful Port after a Retarget accepted
Scenario Description	A successful Port from the Losing Carrier to the Donor Carrier after a Retarget has been accepted.
Detailed Test Description	An SNA is sent by the Donor Carrier and confirmed by the Losing Carrier within 1 Business Day. An SNA Retarget Notification is sent prior to SNA expiry and accepted. A valid ECA is received and confirmation is sent. An SNA Completion Advice is sent on Port completion.
Test Outcome	Port successfully completed and Telephone Number no longer on PLNR.

Day	Carrier	Transaction Type	Description	Code Value
0	D	SNA		n/a
0	D	PLNR update		"D"
1	L	SNA Confirmation		"000"
1	D	PLNR update		"E"
3	D	SNA Retarget Notification		n/a
4	L	SNA Retarget Confirmation		"000"
7	D	ECA Cutover Notification		n/a
7	L	ECA Cutover Confirmation		"000"
7	L	SNA Completion Notification		n/a
8	D	PLNR update		"C"
9	D	PLNR update	PLNR entry removed	n/a

Scenario No	ADG04
Pre- Requisite Scenario	ADL01
Test Scenario Type	Successful Port after ECA rejection and Retarget accepted
Scenario Description	A successful Port from the Losing Carrier to the Donor Carrier after an ECA is rejected for Response Code 032 (Insufficient notification timeframe) and then a Retarget has been accepted.
Detailed Test Description	An SNA is sent by the Donor Carrier and confirmed by the Losing Carrier within 1 Business Day. An ECA is sent between Carriers after SNA Confirmation. The ECA is rejected and notification is sent with Response Code 032 (Insufficient notification timeframe). An SNA Retarget Notification is sent prior to SNA expiry and accepted. A valid ECA is received and confirmation is sent. An SNA Completion Advice is sent on Port completion.
Test Outcome	Port successfully completed and Telephone Number no longer on PLNR.

Day	Carrier	Transaction Type	Description	Code Value
0	D	SNA		n/a
0	D	PLNR update		"D"
1	L	SNA Confirmation		"000"
1	D	PLNR update		"E"
1	D	ECA Cutover Notification		n/a
1	L	ECA Cutover Rejection		"032"
3	D	SNA Retarget Notification		n/a
4	L	SNA Retarget Confirmation		"000"
7	D	ECA Cutover Notification		n/a
7	L	ECA Cutover Confirmation		"000"
7	L	SNA Completion Notification		n/a
8	D	PLNR update		"C"
9	D	PLNR update	PLNR entry removed	n/a

Scenario No	ADG05
Pre- Requisite Scenario	ADL01
Test Scenario Type	Successful Port after two Retargets accepted
Scenario Description	A successful Port from the Losing Carrier to the Donor Carrier after two Retargets have been accepted.
Detailed Test Description	An SNA is sent by the Donor Carrier and confirmed by the Losing Carrier within 1 Business Day. Two valid SNA Retargets are received and confirmed. A valid ECA is received and confirmation is sent. An SNA Completion Advice is sent on Port completion.
Test Outcome	Port successfully completed and Telephone Number no longer on PLNR

Day	Carrier	Transaction Type	Description	Code Value
0	D	SNA		n/a
0	D	PLNR update		"D"
1	L	SNA Confirmation		"000"
1	D	PLNR update		"E"
3	D	SNA Retarget Notification		n/a
4	L	SNA Retarget Confirmation		"000"
8	D	SNA Retarget Notification		n/a
9	L	SNA Retarget Confirmation		"000"
11	D	ECA Cutover Notification		n/a
11	L	ECA Cutover Confirmation		"000"
11	L	SNA Completion Notification		n/a
12	D	PLNR update		"C"
14	D	PLNR update	PLNR entry removed Would be updated on Day 13 except it is a Sunday	n/a

Scenario No	ADG06
Pre- Requisite Scenario	ADL01
Test Scenario Type	Successful Port after Retarget rejection
Scenario Description	A successful Port from the Losing Carrier to the Donor Carrier after two Retargets have been accepted and a third Retarget rejected with Response Code 037 (Retarget limit exceeded).
Detailed Test Description	An SNA is sent by the Donor Carrier and confirmed by the Losing Carrier within 1 Business Day. Two valid SNA Retargets are received and confirmed. A third SNA Retarget is received therefore rejection notification is sent within 1 business day with Response Code 037 (Retarget limit exceeded). An ECA notification is sent and accepted. AN SNA Completion Advice is sent on Port completion
Test Outcome	Port successfully completed and Telephone Number no longer on PLNR.

Day	Carrier	Transaction Type	Description	Code Value
0	D	SNA		n/a
0	D	PLNR update		"D"
1	L	SNA Confirmation		"000"
1	D	PLNR update		"E"
3	D	SNA Retarget Notification		n/a
4	L	SNA Retarget Confirmation		"000"
8	D	SNA Retarget Notification		n/a
9	L	SNA Retarget Confirmation		"000"
10	D	SNA Retarget Notification		n/a
11	L	SNA Retarget Rejection	Retarget limit exceeded	"037"
12	D	ECA Cutover Notification		n/a
12	L	ECA Cutover Confirmation		"000"
12	L	SNA Completion Notification		n/a
14	D	PLNR update	Would be updated on Day 13 except it is a Sunday	"C"
15	D	PLNR update	PLNR entry removed	n/a

Scenario No	ADG07
Pre- Requisite Scenario	ADL01
Test Scenario Type	Successful Port after Withdrawal Rejection
Scenario Description	A successful Port from the Losing Carrier to the Donor Carrier after Withdrawal is rejected with Response Code 032 (Insufficient notification timeframe).
Detailed Test Description	An SNA is sent by the Donor Carrier and confirmed by the Losing Carrier within 1 Business Day. An invalid SNA Withdrawal Notification is received therefore a SNA Withdrawal Rejection is sent within 1 Business Day with Response Code 032 (Insufficient notification timeframe). An ECA notification is sent on the day of expiry and accepted. An SNA completion Advice is sent on Port completion.
Test Outcome	Port successfully completed and Telephone Number no longer on PLNR.

Day	Carrier	Transaction Type	Description	Code Value
0	D	SNA		n/a
0	D	PLNR update		"D"
1	L	SNA Confirmation		"000"
1	D	PLNR update		"E"
30	D	SNA Withdrawal Notification		n/a
30	D	ECA Cutover Notification		n/a
30	L	ECA Cutover Confirmation		"000"
30	L	SNA Completion Notification		n/a
32	L	SNA Withdrawal Rejection	Would be sent on Day 31 except it is a Public Holiday.	"032"
32	D	PLNR update		"C"
33	D	PLNR update	PLNR entry removed	n/a

Scenario No	ADG08
Pre- Requisite Scenario	ADL01
Test Scenario Type	Successful Port after two Retargets Accepted and Withdrawal Rejection
Scenario Description	A successful Port from the Losing Carrier to the Donor Carrier after two Retargets have been accepted and Withdrawal is rejected with Response Code 032 (Insufficient notification timeframe). Withdrawal would be received on last day of Port window and ECA sent same day.
Detailed Test Description	An SNA is sent by the Donor Carrier and confirmed by the Losing Carrier within 1 Business Day. Two Valid SNA Retarget Notifications are received and confirmed. An SNA Withdrawal Notification is received on day of expiry. Withdrawal rejection is sent within 1 Business Day with Response Code 032 (Insufficient notification timeframe). An ECA notification is sent on the day of expiry and accepted. An SNA Completion Advice is sent on Port completion
Test Outcome	Port successfully completed and Telephone Number no longer on PLNR.

Day	Carrier	Transaction Type	Description	Code Value
0	D	SNA		n/a
0	D	PLNR update		"D"
1	L	SNA Confirmation		"000"
1	D	PLNR update		"E"
3	D	SNA Retarget Notification		n/a
4	L	SNA Retarget Confirmation		"000"
8	D	SNA Retarget Notification		n/a
9	L	SNA Retarget Confirmation		"000"
38	D	SNA Withdrawal Notification		n/a
38	D	ECA Cutover Notification		n/a
38	L	ECA Cutover Confirmation		"000"
38	L	SNA Completion Notification		n/a
39	L	SNA Withdrawal Rejection	Insufficient notification timeframe	"032"

39	D	PLNR update		"C"
40	D	PLNR update	PLNR entry removed	n/a

Scenario No	ADG09
Pre- Requisite Scenario	ADL01
Test Scenario Type	Successful Withdrawal
Scenario Description	A Port Request is terminated by a successful Withdrawal transaction
Detailed Test Description	An SNA is sent by the Donor Carrier and confirmed by the Losing Carrier within 1 Business Day. A valid SNA Withdrawal Notification is received therefore a SNA Withdrawal Confirmation is sent within 1 Business Day. Port is cancelled.
Test Outcome	Port successfully Withdrawn and Telephone Number remains on PLNR.

Day	Carrier	Transaction Type	Description	Code Value
0	D	SNA		n/a
0	D	PLNR update		"D"
1	L	SNA Confirmation		"000"
1	D	PLNR update		"E"
3	D	SNA Withdrawal Notification		n/a
4	L	SNA Withdrawal Confirmation		"000"
5	D	PLNR update		"F"
7	D	PLNR update	PLNR entry restored Would be updated on Day 6 except it is a Sunday	"space"

Scenario No	ADG10
Pre- Requisite Scenario	ADL01
Test Scenario Type	Expiry
Scenario Description	A Port Request is terminated by the generation of an Expiry Notification
Detailed Test Description	An SNA is sent by the Donor Carrier and confirmed by the Losing Carrier within 1 Business Day. No ECA Cutover Notification is received within 30 calendar days. The Losing Carrier cancels the SNA and sends an SNA Expiry Notification the Business Day following the expiry date.
Test Outcome	Port is expired and Telephone Number remains on PLNR.

Day	Carrier	Transaction Type	Description	Code Value
0	D	SNA		n/a
0	D	PLNR update		"D"
1	L	SNA Confirmation		"000"
1	D	PLNR update		"E"
30	L	SNA Expiry Notification		n/a
32	D	PLNR update	Would be updated on Day 31 except it is a Public Holiday	"F"
33	D	PLNR update		"space"

Scenario No	ADG11
Pre- Requisite Scenario	ADL01
Test Scenario Type	Expiry after one Retarget accepted
Scenario Description	A Port Request is terminated by the generation of an Expiry Notification after one Retarget has been accepted
Detailed Test Description	An SNA is sent by the Donor Carrier and confirmed by the Losing Carrier within 1 Business Day. A valid SNA Retarget Notification is received and confirmed. No ECA Cutover Notification is received within 30 calendar days. The Losing Carrier cancels the SNA and sends an SNA Expiry Notification the Business Day following the expiry date.
Test Outcome	Port is expired and Telephone Number remains on PLNR.

Day	Carrier	Transaction Type	Description	Code Value
0	D	SNA		n/a
0	D	PLNR update		"D"
1	L	SNA Confirmation		"000"
1	D	PLNR update		"E"
3	D	SNA Retarget Notification		n/a
4	L	SNA Retarget Confirmation		"000"
35	L	SNA Expiry Notification	Would be sent on Day 33 except it is a Saturday	n/a
36	D	PLNR update		"C"
37	D	PLNR update	PLNR entry restored	"space"

Scenario No	ADG12
Pre- Requisite Scenario	ADL01
Test Scenario Type	Expiry after two Retargets accepted
Scenario Description	A Port Request is terminated by the generation of an Expiry Notification after two Retargets has been accepted
Detailed Test Description	An SNA is sent by the Donor Carrier and confirmed by the Losing Carrier within 1 Business Day. Two valid SNA Retarget Notifications are received and confirmed. No ECA Cutover Notification is received within 30 calendar days. The Losing Carrier cancels the SNA and sends an SNA Expiry Notification the Business Day following the expiry date.
Test Outcome	Port is expired and Telephone Number remains on PLNR.

Day	Carrier	Transaction Type	Description	Code Value
0	D	SNA		n/a
0	D	PLNR update		"D"
1	L	SNA Confirmation		"000"
1	D	PLNR update		"E"
3	D	SNA Retarget Notification		n/a
4	L	SNA Retarget Confirmation		"000"
8	D	SNA Retarget Notification		n/a
9	L	SNA Retarget Confirmation		"000"
38	L	SNA Expiry Notification		n/a
39	D	PLNR update		"C"
40	D	PLNR update		"space"

Scenario No	ADG13
Pre- Requisite Scenario	ADL01
Test Scenario Type	Expiry after Withdrawal rejection
Scenario Description	A Port Request is terminated by the generation of an Expiry Notification after Withdrawal has been rejected with Response Code 032 (Insufficient notification timeframe).
Detailed Test Description	An SNA is sent by the Donor Carrier and confirmed by the Losing Carrier within 1 Business Day. An invalid Withdrawal notification is received and rejected with Response Code 032 (Insufficient notification timeframe). No ECA Cutover Notification is received within 30 calendar days. The Losing Carrier cancels the SNA and sends an SNA Expiry Notification the Business Day following the expiry date.
Test Outcome	Port is expired and Telephone Number remains on PLNR.

Day	Carrier	Transaction Type	Description	Code Value
0	D	SNA		n/a
0	D	PLNR update		"D"
1	L	SNA Confirmation		"000"
1	D	PLNR update		"E"
29	D	SNA Withdrawal Notification		n/a
30	L	SNA Withdrawal Rejection		"032"
30	L	SNA Expiry Notification		n/a
32	D	PLNR update	Would be updated on Day 31 except it is a Public Holiday.	"C"
33	D	PLNR update	PLNR entry restored	"space"

Scenario No	ADG15
Pre- Requisite Scenario	ADL01
Test Scenario Type	Port Reversal
Scenario Description	A number is successfully Ported and then reversed.
Detailed Test Description	An SNA is sent by the Donor Carrier and confirmed by the Losing Carrier within 1 Business Day. At least 2 Business Days later a valid ECA is received and confirmation is sent. An SNA Completion Advice is sent on Port completion. The Port is then reversed.
Test Outcome	Port is rejected and Telephone Number remains on PLNR.

Day	Carrier	Transaction Type	Description	Code Value
0	D	SNA		n/a
0	D	PLNR update		"D"
1	L	SNA Confirmation		"000"
1	D	PLNR update		"E"
2	D	ECA Cutover Notification		n/a
2	L	ECA Cutover Confirmation		"000"
2	L	SNA Completion Notification		n/a
	D	Reversal	The Reversal is actioned within 4 hours of the Port. This is a manual action	n/a
3	D	PLNR update		"F"
4	D	PLNR update		"space"

3.3 Third Party

Scenario No	ATP01
Pre- Requisite Scenario	ADL01
Test Scenario Type	Successful Transfer
Scenario Description	A successful Transfer by the Donor Carrier from the Losing Carrier to the Gaining Carrier
Detailed Test Description	A TSNA is sent by the Gaining Carrier and confirmed by the Donor Carrier within 1 Business Day. At least 2 Business Days later a valid TECA is received and confirmation is sent. A TSNA Completion Advice is sent on Transfer completion.
Test Outcome	Transfer successfully completed and the PLNR points the Telephone Number to the Gaining Carrier.

Day	Carrier	Transaction Type	Description	Code Value
0	G	TSNA		n/a
1	D	PLNR update		"D"
1	D	TSNA Confirmation		"000"
2	D	PLNR update		"E"
2	G	TECA Cutover Notification		n/a
2	D	TECA Cutover Confirmation		"000"
2	D	TSNA Completion Notification		n/a
3	D	PLNR update		"B"
4	D	PLNR update	PLNR points to Gaining Carrier	"space"

Scenario No	ATP02
Pre- Requisite Scenario	ADL01
Test Scenario Type	Successful Transfer after TECA Rejection
Scenario Description	A successful Transfer by the Donor Carrier from the Losing Carrier to the Gaining Carrier after a TECA is rejected for Response Code 032 (Insufficient notification timeframe).
Detailed Test Description	A TSNA is sent by the Gaining Carrier and confirmed by the Donor Carrier within 1 Business Day. A TECA is sent between Carriers after TSNA confirmation. The TECA is rejected and notification is sent with Response Code 032 (Insufficient notification timeframe). A second TECA is received and confirmation is sent. A TSNA Completion Advice is sent on Transfer completion.
Test Outcome	Transfer successfully completed and the PLNR points the Telephone Number to the Gaining Carrier.

Day	Carrier	Transaction Type	Description	Code Value
0	G	TSNA		n/a
1	D	PLNR update		"D"
1	D	TSNA Confirmation		"000"
1	G	TECA Cutover Notification		n/a
1	D	TECA Cutover Rejection		"032"
2	D	PLNR update		"E"
2	G	TECA Cutover Notification		n/a
2	D	TECA Cutover Confirmation		"000"
2	D	TSNA Completion Notification		n/a
3	D	PLNR update		"B"
4	D	PLNR update	PLNR points to Gaining Carrier	"space"

Scenario No	ATP03
Pre- Requisite Scenario	ADL01
Test Scenario Type	Successful Transfer after Donor Carrier rejects Withdrawal
Scenario Description	A successful Transfer by the Donor Carrier from the Losing Carrier to the Gaining Carrier after Withdrawal is rejected by the Donor Carrier with Response Code 032 (Insufficient notification timeframe).
Detailed Test Description	A TSNA is sent by the Gaining Carrier and confirmed by the Donor Carrier within 1 Business Day. An invalid TSNA Withdrawal Notification is received therefore a TSNA Withdrawal Rejection is sent within 1 Business Day with Response Code 032 (Insufficient notification timeframe). A TECA notification is sent on the day of expiry and accepted. A TSNA Completion Advice is sent on Transfer completion.
Test Outcome	Transfer successfully completed and the PLNR points the Telephone Number to the Gaining Carrier.

Day	Carrier	Transaction Type	Description	Code Value
3	G	TSNA	Starts on Day 3 so that last valid day for Port is on a Business Day	n/a
4	D	PLNR update		"D"
4	G	TSNA Confirmation		"000"
5	D	PLNR update		"E"
92	G	TSNA Withdrawal Notification		n/a
92	G	ECA Cutover Notification		n/a
92	D	ECA Cutover Confirmation		"000"
92	D	SNA Completion Notification		n/a
93	D	SNA Withdrawal Rejection		"032"
93	D	PLNR update		"B"
94	D	PLNR update	PLNR points to Gaining Carrier	"space"

Scenario No	ATP04
Pre- Requisite Scenario	ADL01
Test Scenario Type	Successful Withdrawal
Scenario Description	A Transfer request is terminated by a successful Withdrawal transaction
Detailed Test Description	A TSNA is sent by the Gaining Carrier and confirmed by the Donor Carrier within 1 Business Day. A valid TSNA Withdrawal Notification is received therefore a TSNA Withdrawal Confirmation is sent within 1 Business Day. Transfer is cancelled.
Test Outcome	Transfer successfully Withdrawn and Telephone Number remains on PLNR.

Day	Carrier	Transaction Type	Description	Code Value
0	G	TSNA		n/a
1	D	PLNR update		"D"
1	D	TSNA Confirmation		"000"
2	D	PLNR update		"E"
3	G	TSNA Withdrawal Notification		n/a
4	D	TSNA Withdrawal Confirmation		"000"
4	D	PLNR update		"F"
5	D	PLNR update	PLNR entry restored	"space"

Scenario No	ATP05
Pre- Requisite Scenario	ADL01
Test Scenario Type	Donor Carrier Expiry
Scenario Description	A Transfer request is terminated by the generation of an Expiry Notification by the Donor Carrier.
Detailed Test Description	A TSNA is sent by the Gaining Carrier and confirmed by the Donor Carrier within 1 Business Day. No TECA Cutover Notification is received within 90 calendar days. The Donor Carrier cancels the TSNA and sends a TSNA Expiry Notification the Business Day following the expiry date.
Test Outcome	Transfer is expired and Telephone Number remains on PLNR.

Day	Carrier	Transaction Type	Description	Code Value
0	G	TSNA		n/a
1	D	PLNR update		"D"
1	D	TSNA Confirmation		"000"
2	D	PLNR update		"E"
91	D	TSNA Expiry Notification	Would be sent on Day 90 except it is a Sunday.	n/a
91	D	PLNR update		"F"
92	D	PLNR update		"space"

Scenario No	ATP06
Pre- Requisite Scenario	ADL01
Test Scenario Type	Expiry after Donor Carrier rejects Withdrawal
Scenario Description	A Transfer request is terminated by the generation of an Expiry Notification after Withdrawal has been rejected by the Donor Carrier with Response Code 032 (Insufficient notification timeframe).
Detailed Test Description	A TSNA is sent by the Gaining Carrier and confirmed by the Donor Carrier within 1 Business Day. An invalid Withdrawal notification is received and rejected with Response Code 032 (Insufficient notification timeframe). No TECA Cutover Notification is received within 90 calendar days. The Donor Carrier cancels the TSNA and sends a TSNA Expiry Notification the Business Day following the expiry date.
Test Outcome	Transfer is expired and Telephone Number remains on PLNR.

Day	Carrier	Transaction Type	Description	Code Value
3	G	TSNA	Starts on Day 3 so that last valid day for Port is on a Business Day	n/a
4	D	PLNR update		"D"
4	D	TSNA Confirmation		"000"
5	D	PLNR update		"E"
92	G	TSNA Withdrawal Notification		n/a
93	D	TSNA Withdrawal Rejection		"032"
93	D	TSNA Expiry Notification		n/a
93	D	PLNR update		"F"
94	D	PLNR update		"space"

Scenario No	ATP07
Pre- Requisite Scenario	ADL01
Test Scenario Type	Transfer rejected by Donor Carrier
Scenario Description	A Transfer request is rejected by the Donor Carrier for Response Code 008 (Outstanding Porting Request).
Detailed Test Description	A Transfer request is rejected for Response Code 008 (Outstanding Porting Request).
Test Outcome	Transfer is rejected and Telephone Number remains on PLNR.

Day	Carrier	Transaction Type	Description	Code Value
0	G	TSNA		n/a
1	D	TSNA Rejection	Outstanding Porting Request	"008"

Scenario No	ATP08
Pre- Requisite Scenario	ADL01
Test Scenario Type	Transfer Reversal
Scenario Description	A Transfer is successfully completed and a Transfer Reversal requested.
Detailed Test Description	A TSNA is sent by the Gaining Carrier and confirmed by the Donor Carrier within 1 Business Day. At least 2 Business Days later a valid TECA is received and confirmation is sent. A TSNA Completion Advice is sent on Transfer completion. The Transfer is then reversed.
Test Outcome	Transfer is rejected and Telephone Number remains on PLNR.

Day	Carrier	Transaction Type	Description	Code Value
0	G	TSNA		n/a
1	D	PLNR update		"D"
1	D	TSNA Confirmation		"000"
2	D	PLNR update		"E"
2	G	TECA Cutover Notification		n/a
2	D	TECA Cutover Confirmation		"000"
2	D	TSNA Completion Notification		n/a
	G	Transfer Reversal	The Transfer Reversal is actioned within 4 hours of the Transfer. This is a manual action	n/a
3	D	PLNR update		"F"
4	D	PLNR update		"space"

3.4 Giveback

Scenario No	AGB01
Pre- Requisite Scenario	ADL01
Test Scenario Type	Giveback successful
Scenario Description	A Giveback is successfully processed.
Detailed Test Description	A Giveback Notification is sent by the Losing Carrier to the Donor Carrier and confirmed by the Donor Carrier within 1 Business Day.
Test Outcome	The Telephone Number is returned to the Donor Carrier is no longer on the PLNR

Day	Carrier	Transaction Type	Description	Code Value
0	L	Giveback Notification		n/a
1	D	Giveback Confirmation		"000"
2	D	PLNR update		"C"
3	D	PLNR update	PLNR entry removed	n/a

Scenario No	AGB02
Pre- Requisite Scenario	ADL01
Test Scenario Type	Giveback rejected
Scenario Description	A Giveback is rejected for Response Code 038 (Giveback invalid)
Detailed Test Description	A Giveback Notification A Giveback Notification is sent by the Losing Carrier to the Donor Carrier and rejected by the Donor Carrier within 1 Business Day with Response Code 038 (Giveback invalid).
Test Outcome	Giveback is rejected and Telephone Number remains on PLNR.

Day	Carrier	Transaction Type	Description	Code Value
0	L	Giveback Notification		n/a
1	D	Giveback Rejection		"038"

4 TEST RUN SCHEDULE MATRIX

4.1 Run Chart for Category A Process Intercarrier Interface Testing

Actual Date	System Date	Day of Week	Bus Day	Cal Day	PNO	Hot Batch	PLNR
	1 December 2003	Mon	0	0	ADL01		ADG01
					ADL02		ADG02
					ADL03		ADG03
					ADL04		ADG04
					ADL05		ADG05
					ADL06		ADG06
					ADL07		ADG07
					ADL08		ADG08
					ADL09		ADG09
					ADL10		ADG10
					ADL11		ADG11
					ADL12		ADG12
					ADL13		ADG13
					ADL14		ADG14
					ADL15		ADG15
					ADL16		
					ADL17		
					ADL18		
					ADL16		
					ADG01		
					ADG02		
					ADG03		
					ADG04		
					ADG05		
					ADG06		
					ADG07		
					ADG08		
					ADG09		
					ADG10		
					ADG11		
					ADG12		
					ADG13		

Actual Date	System Date	Day of Week	Bus Day	Cal Day	PNO	Hot Batch	PLNR
					ADG14 ADG15 AGB01 AGB02 ATP01 ATP02 ATP04 ATP05 ATP07 ATP08		
	2 December 2003	Tue	1	1	ADL01 ADL02 ADL03 ADL04 ADL05 ADL06 ADL07 ADL08 ADL09 ADL10 ADL11 ADL12 ADL13 ADL14 ADL15 ADL16 ADL17 ADL18 ADL16 ADG01 ADG02 ADG03 ADG04 ADG05 ADG06	ADL02 ADL04 ADG02 ADG04 ATP02	ADG01 ADG02 ADG03 ADG04 ADG05 ADG06 ADG07 ADG08 ADG09 ADG10 ADG11 ADG12 ADG13 ADG14 ADG15 ATP01 ATP02 ATP04 ATP05 ATP08

Actual Date	System Date	Day of Week	Bus Day	Cal Day	PNO	Hot Batch	PLNR
					ADG07 ADG08 ADG09 ADG10 ADG11 ADG12 ADG13 ADG14 ADG15 AGB01 AGB02 ATP01 ATP02 ATP04 ATP05 ATP07 ATP08		
	3 December 2003	Wed	2	2		ADL01 ADL02 ADL16 ADG01 ADG02 ADG15 ATP01 ATP02	ADG14 AGB01 ATP01 ATP02 ATP04 ATP05 ATP08
	4 December 2003	Thu	3	3	ADL03 ADL04 ADL05 ADL06 ADL08 ADL09 ADL11 ADL12 ADG03 ADG04		ADL01 ADL02 ADG01 ADG02 ADG14 ADG15 AGB01 ATP01 ATP02 ATP08

Actual Date	System Date	Day of Week	Bus Day	Cal Day	PNO	Hot Batch	PLNR
					ADG05 ADG06 ADG08 ADG09 ADG11 ADG12 ATP03 ATP04 ATP06		
	5 December 2003	Fri	4	4	ADL03 ADL04 ADL05 ADL06 ADL08 ADL09 ADL11 ADL12 ADG03 ADG04 ADG05 ADG06 ADG08 ADG09 ADG11 ADG12 ATP03 ATP04 ATP06		ADL01 ADL02 ADG01 ADG02 ADG15 ATP01 ATP02 ATP03 ATP04 ATP06 ATP08
	6 December 2003	Sat	4	5			ADG09 ATP03 ATP04 ATP06
	7 December 2003	Sun	4	6			
	8 December 2003	Mon	5	7		ADL03 ADL04	ADG09

Actual Date	System Date	Day of Week	Bus Day	Cal Day	PNO	Hot Batch	PLNR
						ADG03 ADG04	
	9 December 2003	Tue	6	8	ADL05 ADL06 ADL08 ADL12 ADG05 ADG06 ADG08 ADG12		ADL03 ADL04 ADG03 ADG04
	10 December 2003	Wed	7	9	ADL05 ADL06 ADL08 ADL12 ADG05 ADG06 ADG08 ADG12		ADL03 ADL04 ADG03 ADG04
	11 December 2003	Thu	8	10	ADL06 ADG06		
	12 December 2003	Fri	9	11	ADL06 ADG06	ADL05 ADG05	
	13 December 2003	Sat	9	12		ADL06 ADG06	ADL05 ADG05
	14 December 2003	Sun	9	13			
	15 December 2003	Mon	10	14			ADL05 ADL06 ADG05 ADG06
	16 December 2003	Tue	11	15			ADL06 ADG06
	17 December 2003	Wed	12	16			

Actual Date	System Date	Day of Week	Bus Day	Cal Day	PNO	Hot Batch	PLNR
	18 December 2003	Thu	13	17			
	19 December 2003	Fri	14	18			
	20 December 2003	Sat	14	19			
	21 December 2003	Sun	14	20			
	22 December 2003	Mon	15	21			
	23 December 2003	Tue	16	22			
	24 December 2003	Wed	17	23			
	25 December 2003	Thu	17	24			
	26 December 2003	Fri	17	25			
	27 December 2003	Sat	17	26			
	28 December 2003	Sun	17	27			
	29 December 2003	Mon	18	28			
	30 December 2003	Tue	19	29	ADL13 ADG13		
	31 December 2003	Wed	20	30	ADL07 ADL10 ADL13 ADG10 ADG07 ADG13	ADL07 ADG07	ADG10
	1 January 2004	Thu	20	31			
	2 January 2004	Fri	21	32	ADL07 ADG07		ADL07 ADG07 ADG10 ADG13
	3 January 2004	Sat	21	33			ADL07

Actual Date	System Date	Day of Week	Bus Day	Cal Day	PNO	Hot Batch	PLNR
							ADG07 ADG10 ADG13
	4 January 2004	Sun	21	34			
	5 January 2004	Mon	22	35	ADL11 ADG11		
	6 January 2004	Tue	23	36			ADG11
	7 January 2004	Wed	24	37			ADG11
	8 January 2004	Thu	25	38	ADL08 ADL12 ADG08 ADG12	ADL08 ADG08	
	9 January 2004	Fri	26	39	ADL08 ADG08		ADL08 ADG08 ADG12
	10 January 2004	Sat	26	40			ADL08 ADG08 ADG12
	11 January 2004	Sun	26	41			
	12 January 2004	Mon	27	42			
	13 January 2004	Tue	28	43			
	14 January 2004	Wed	29	44			
	15 January 2004	Thu	30	45			
	16 January 2004	Fri	31	46			
	17 January 2004	Sat	31	47			
	18 January 2004	Sun	31	48			
	19 January 2004	Mon	32	49			
	20 January 2004	Tue	33	50			
	21 January 2004	Wed	34	51			
	22 January 2004	Thu	35	52			
	23 January 2004	Fri	36	53			
	24 January 2004	Sat	36	54			
	25 January 2004	Sun	36	55			
	26 January 2004	Mon	36	56			

Actual Date	System Date	Day of Week	Bus Day	Cal Day	PNO	Hot Batch	PLNR
	27 January 2004	Tue	37	57			
	28 January 2004	Wed	38	58			
	29 January 2004	Thu	39	59			
	30 January 2004	Fri	40	60			
	31 January 2004	Sat	40	61			
	1 February 2004	Sun	40	62			
	29 February 2004	Sun		90			
	1 March 2004	Mon		91	ATP05		ATP05
	2 March 2004	Tue		92	ATP03 ATP06		ATP05
	3 March 2004	Wed		93	ATP03 ATP06	ATP03	ATP03 ATP06
	4 March 2004	Thu		94			ATP03 ATP06
	5 March 2004	Fri		95			

5 RESPONSE CODES

Not all response codes will be tested as part of Application Layer testing, however the following points should be noted:

- All response codes require internal testing.
- Some response codes are for internal testing only as they require manual intervention to automated processes.
- If a Participant cannot generate a transaction to elicit the appropriate response code, a variation to the execution schedule can be agreed on a case by case basis.

The following table is provided to assist Participants to identify those response codes they wish to test.

Response Codes for Cat. A Testing							
Transaction	Response Code	Reject Reason	Probability (0 - 10)	Impact (0 - 10)	Ranking (1 - 100)	Comment	Test Y/N
	001	Service Number Not Found					
	002	Service Number is on Diversion					
	003	Inactive Service					
	004	Disconnected Service					
	005	Complex Service – e.g. ISDN, Line Hunt etc.					
	006	ULLS Call Diversion does not exist on requested Telephone Number					
	007	ULLS Number/Telephone Number mismatch					

Response Codes for Cat. A Testing							
Transaction	Response Code	Reject Reason	Probability (0 - 10)	Impact (0 - 10)	Ranking (1 - 100)	Comment	Test Y/N
	008	Outstanding Porting Request					
	009	Porting Already Completed					
	010	Telephone Number Ported to Another ASD					
	011	ASD Owned Telephone Number					
	012	Not Used					
	013	Not Used					
	014	Not Used					
	015	Incompatible Exchange Technology					
	016	Not Used					
						No longer required	
	018	All mandatory fields are not populated					
	019	Not Used					
	020	Transaction Level Rejections					
	021	Not Used					
	022	Not Used					
	023	Not Used					

Response Codes for Cat. A Testing							
Transaction	Response Code	Reject Reason	Probability (0 -10)	Impact (0 -10)	Ranking (1 - 100)	Comment	Test Y/N
	024	Not Used					
	025	Not Used					
	026	Not Used					
	027	Not Used					
	028	Not Used					
	029	Not Used					
	030	Not Used					
	031	Not Used					
	032	Insufficient notification time frame					
	033	Not Used					
	034	Cutover outside Standard Hours of Operation					
	035	No Porting Request is currently outstanding					
	036	Invalid Cutover Timeslot					
	037	Retarget Limit exceeded					
	038	Giveback Invalid					
	039	Out of Area Telephone Number					

Response Codes for Cat. A Testing							
Transaction	Response Code	Reject Reason	Probability (0 -10)	Impact (0 -10)	Ranking (1 - 100)	Comment	Test Y/N
	040	Duplicate Telephone Number in Batch					
	041	Multiple Sites					
	042	Not Used					
	043	Not Used					
	044	Not Used					
	045	Not Used					
	046	Not Used					
	047	Not Used					
	048	Not Used					
	049	Not Used					
	050	Not Used					
	051	Telephone Number currently being Ported to another Carrier					
	052	Service is currently connected to the ASD's network					
	053	Cutover Date is within the Lead Time					
	054	Cutover Date is outside					

Response Codes for Cat. A Testing							
Transaction	Response Code	Reject Reason	Probability (0 -10)	Impact (0 -10)	Ranking (1 - 100)	Comment	Test Y/N
		Expiry Date					
	055	Invalid Status - CNA Retarget or Withdrawal requested after CCA was Confirmed					
	056	Invalid Withdrawal Request					
	057	Invalid Retarget Request					
	058	Not Used					
	059	Not Used					
	060	Incomplete Number Block or missing Telephone Numbers in Batch					
	061	Batch Reference Number Missing					
	062	Giveback Date Invalid					
	063	Incorrect Category					
	064	Secondary Reject					
	065	Telephone Numbers are not contiguous for a product					
	066	Not Used					
	067	Invalid CA date					
	068	Not Used					

Response Codes for Cat. A Testing							
Transaction	Response Code	Reject Reason	Probability (0 -10)	Impact (0 -10)	Ranking (1 - 100)	Comment	Test Y/N
	069	Donor Reject					
	070	Not Used					
	071	Not Used					
	072	Not Used					
	073	Excluded product					
	074	Not Used					
	075	Not Used					
	076	Not Used					
	077	Batch Number NOT unique					

6 REFERENCES

Publication	Title
Industry Codes	
C540:2013	Local Number Portability Incorporating Variation No.2/2016
C513:2015	Customer and Network Fault Management
C515:2015	Pre-selection - Single Basket/Multi Service Deliverer
ACIF C566:2005	Rights of Use of Numbers
C569:2015	Unconditioned Local Loop Service - Ordering, Provisioning and Customer Transfer
C628:2015	Telecommunications Consumer Protections
Industry Guidelines	
ACIF G520:2005	Local Number Portability - Network Plan
G602.1:2016	Local Number Portability IT Specifications and Operations Manual (General)
G602.2:2016	Local Number Portability IT Specifications and Operations Manual - Category A Processing
G603:2013	Local Number Portability IT Test Strategy
G613.1:2016	Local Number Portability IT Test Plan Part 1
Legislation	
<i>Privacy Act 1988 (Cth)</i>	
<i>Telecommunications Act 1997 (Cth)</i>	
<i>Telecommunications (Consumer Protection and Services Standards) Act 1999 (Cth)</i>	
<i>Telecommunications Numbering Plan 2015 (Cth)</i>	
<i>Competition and Consumer Act 2010 (Cth)</i>	

PARTICIPANTS

The Working Committee that revised this Guideline consisted of the following organisations and their representatives:

Organisation	Membership	Representative
Foxtel	Voting	Melanie Rainey
NBN Co	Voting	Mark Duke
Optus	Voting	Xanthe Corbett-Jones
Paradigm.One	Voting	Dev Gupta
Telstra	Voting	Craig McAinsh
Telstra	Participating	David Fabbian
VHA	Chair	Alexander R. Osborne
ACMA	Participating	Gerry O'Reilly
ACMA	Participating	Paul White

This Working Committee was chaired by Alexander R. Osborne. Craig Purdon of Communications Alliance provided project management support.

Communications Alliance was formed in 2006 to provide a unified voice for the Australian communications industry and to lead it into the next generation of converging networks, technologies and services.

In pursuing its goals, Communications Alliance offers a forum for the industry to make coherent and constructive contributions to policy development and debate.

Communications Alliance seeks to facilitate open, effective and ethical competition between service providers while ensuring efficient, safe operation of networks, the provision of innovative services and the enhancement of consumer outcomes.

It is committed to the achievement of the policy objective of the Telecommunications Act 1997 - the greatest practicable use of industry self-regulation without imposing undue financial and administrative burdens on industry.



**Published by:
COMMUNICATIONS
ALLIANCE LTD**

**Level 12
75 Miller Street
North Sydney
NSW 2060 Australia**

**Correspondence
PO Box 444
Milsons Point
NSW 1565**

**T 61 2 9959 9111
F 61 2 9954 6136
E info@commsalliance.com.au
www.commsalliance.com.au
ABN 56 078 026 507**

Care should be taken to ensure the material used is from the current version of the Standard or Industry Code and that it is updated whenever the Standard or Code is amended or revised. The number and date of the Standard or Code should therefore be clearly identified. If in doubt please contact Communications Alliance